

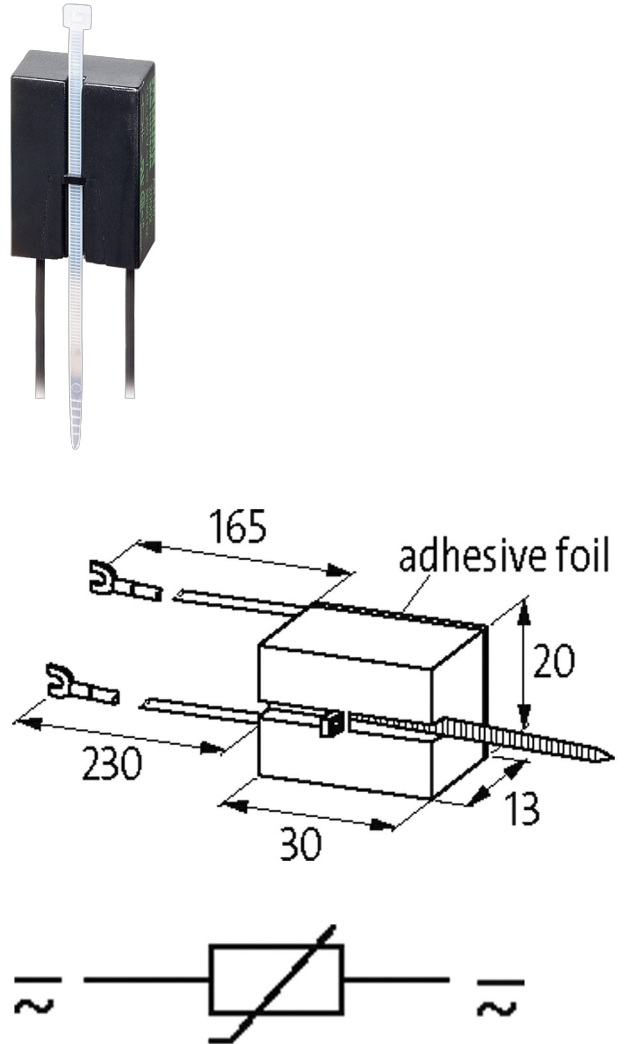
SUPPRESSOR FOR CONTACTORS

VDR, 110 VAC/DC, 100 VA/W

110 V AC/DC

VDR

For other configurations and voltages, please inquire.

Illustration**VDR**

Product may differ from Image

Approvals


Appropriate contactors

universal

General data

Dimensions H×W×D	30×20×13 mm
Temperature range	-20...+70 °C

Technical Data

Damping factor	approx. 1.5× UN
Material	Flame retardant plastic acc. to (UL 94)
Connection wires	self-securing cable forks
max. power (W)	max. 100 W (VA)

Commercial data

country of origin	CZ
customs tariff number	85363010
EAN	4048879018142
eClass	27371013
Packaging unit	1